

Accessories for Liquid Pumps, Gas Boosters & Air Amplifiers

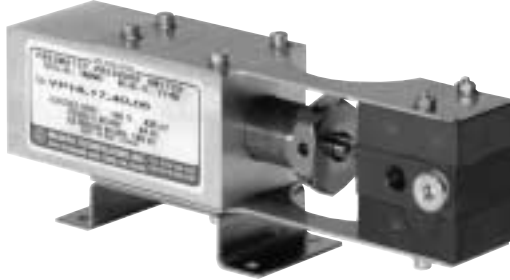


MAXPRO[®]
TECHNOLOGIES

Now Accepting Visa and MasterCard

AIR PILOT SWITCHES

PRESSURES FROM 145 TO 14,500 PSI



- Can be used to shut off MAXPRO pumps, air amplifiers and gas boosters, with pilot ports, by controlling the pneumatic signal to the air pilot line. Allows the pump, amplifier or booster to operate at maximum air drive pressure, achieving the desired outlet pressure as rapidly as possible with little overshoot.
- Ideal for use as an on/off control device for air operated actuators and pilot operated valves in process control applications.
- Replaces electrical switches in hazardous liquid or gas services.
- Precise and repeatable control of outlet pressure.
- Senses gas or liquid pressures.
- Externally adjustable under pressure.
- Reliable and easy to install.

| CATALOG NUMBER* | PRESSURE RANGES |
|-----------------|---------------------|
| 16.17.40.05-NO | 145 to 435 PSI |
| 16.17.40.05-NC | |
| 16.17.30.05-NO | 435 to 1,450 PSI |
| 16.17.30.05-NC | |
| 16.17.00.05-NO | 1,450 to 4,350 PSI |
| 16.17.00.05-NC | |
| 16.17.20.05-NO | 4,350 to 14,500 PSI |
| 16.17.20.05-NC | |

*Catalog number suffix NO for normally open and NC for normally closed

NOTE: Maximum inlet air pressure is 145 PSI.
Weight is 3 lbs.

TECHNICAL INFORMATION

Materials

- *Body*Anodized Aluminum Alloy
- *Piston*440-B
- *Seal*PTFE with T46 Turcon
- *Gland*303 SS
- *O-Ring*Buna-N

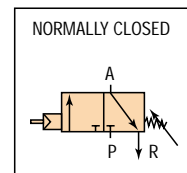
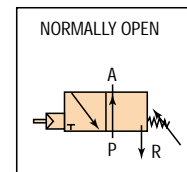
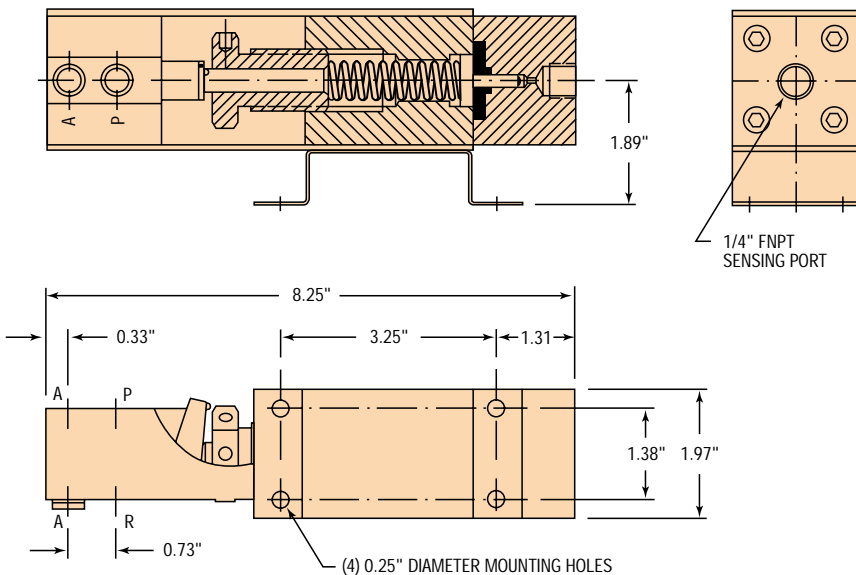
Connections

- *Sensing Port*1/4" FNPT
- *Air Ports*1/8" BSPP

Adjustment

Turn adjusting gland (32mm hex) clockwise to increase, or counter clockwise to decrease the pressure setting. The gland hex also has holes for using a rod or Allen wrench. The dead-band is about 10% of the final set pressure.

DIMENSIONS (inches)



"A" = AIR OUTLET TO PILOT CONNECTION "X" OF PUMP OR BOOSTER (145 PSI MAXIMUM), 1/8" BSPP
 "P" = AIR INLET FOR PILOT, 145 PSI MAXIMUM, 1/8" BSPP
 "R" = RELEASE VENT OUTLET, 1/8" BSP
 SENSING PORT = 1/4" FNPT

HIGH PRESSURE RELIEF VALVE

PRESSURES FROM 1,000 TO 10,000 PSI

MT-10RV SERIES

- Gas or liquid
- Externally adjustable
- Stainless steel
- Can be mounted in line



TECHNICAL INFORMATION

Materials

- Body Stainless Steel
- Seat Nylon
- Seals PTFE/EPDM

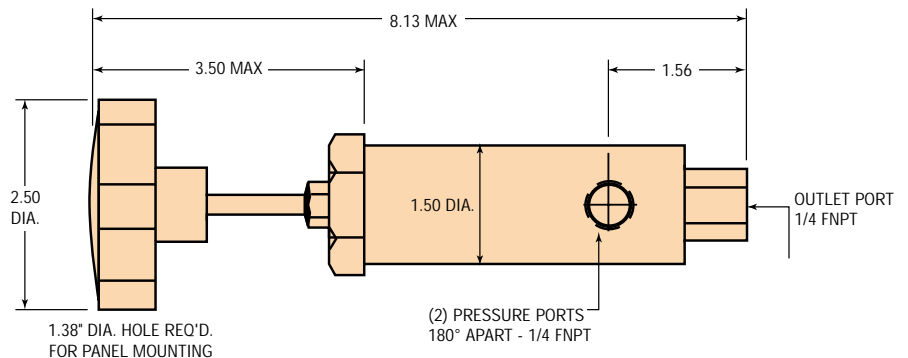
Connections

- Inlet or Thru Ports . . . 1/4" FNPT
- Outlet/Vent 1/4" FNPT

Sizing Data

- Orifice 0.07" DIA.
- Cv 0.12

DIMENSIONS (inches)



NOTE: Dimensions are subject to change. Consult factory.

RESERVOIRS*

Stainless Steel

- MTR1G-H-MP. 1.4 Gallon – With handle and pump mounting plate
4" x 10" x 8.5", Connections: (1) 1/2" FNPT
(3) 1/4" FNPT
- MTR2G-MP. 2 Gallon – Bench mount with pump mounting plate
4" x 10" x 14", Connections: (1) 1/2" FNPT
(3) 1/4" FNPT
- MTR2G-WM. 2 Gallon – Wall mount with four mounting tabs
3" x 12" x 14", Connections: (1) 1/2" FNPT
(2) 1/4" FNPT
- MTR8G-SG. 8 Gallon – Bench/floor mount with sight glass
16.5" x 9.5" x 12", Connections: (3) 1/2" FNPT

Carbon Steel

- MTR1.5G. 1.5 Gallon – Bench mount with removable lid
9" x 10" x 5" HG, Connections: (2) 1/2" FNPT
(2) 1/4" FNPT, Size including MTG tabs,
9" x 12" x 5" HG

*All reservoirs include fill breather cap



1.4 Gallon
With Handle



2 Gallon
Bench Mount



8 Gallon
Bench/Floor Mount



2 Gallon
Wall Mount



1.5 Gallon
Bench Mount

PUMP CYCLE COUNTERS

To order: add suffix to pump PN eg. PP012-CCW

- CCP. Panel mount, 0 – 999,999 max. cycles, 1.03" hg x 2" wd hole
- CCW. Wall mount, 0 – 999,999 max. cycles, 4.00" hg x 2" wd hole



AIR RECEIVER TANKS

Carbon Steel, ASME Certified

- T1-400. 1 Gallon – 400 psi, no mounting, 6" OD x 16" L, 10 lbs., Connections: (2) 3/4" FNPT (1) 1/4" FNPT
- T4-600. 4 Gallon – 600 psi, with mounting base, 10.75" Dia. x 13.75" H x 15" L, 46 lbs., Connections: (2) 3/4" FNPT (3) 3/8" FNPT (2) 1/4" FNPT
- T15-200. 17 Gallon – 200 psi, with mounting legs, 16" Dia. x 24" H, 66 lbs., Connections: (3) 1/2" FNPT (1) 1/4" FNPT
- T15-500. 17 Gallon – 500 psi, with mounting legs, 16" Dia. x 24" H, 145 lbs., Connections: (3) 1/2" FNPT (1) 1/4" FNPT
- T30-200. 30 Gallon – 200 psi, with mounting legs, 20" Dia. x 26" H, 112 lbs., Connections: (2) 1/2" FNPT (2) 1/4" FNPT



4 Gallon



1 Gallon

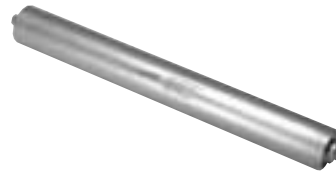


17 Gallon

GAS RECEIVERS

Alloy Steel with nickel plating, double ended
1/4" high pressure inlet/outlet connections

- REC-36 36 Cu. In. – 10,000 psi, 2.38" Dia. x 20.63" L overall
- REC-66 66 Cu. In. – 10,000 psi, 2.38" Dia. x 33" L overall



AIR CONTROL PACKAGES

Consisting of a filter, regulator with gauge, shut-off valve and required fittings

- ACM For all PPO, PP & PPSF pumps, and MPLV air amplifiers
- AC For all S pumps
- ACP For all L, LO, & LSF pumps, DLA & GPLV air amplifiers, and DLE gas boosters
- ACG For all GX pumps



AC



ACP



7728 Klier Drive South ■ Fairview, Pennsylvania 16415
Phone: 814-474-9191 ■ Fax: 814-474-9391
Web Site: www.maxprotech.com
E-mail: sales@maxprotech.com