

AIR PILOT SWITCHES

PRESSURES FROM 145 TO 14,500 PSI



CATALOG NUMBER*	PRESSURE RANGES
16.17.40.05-NO 16.17.40.05-NC	145 to 435 PSI
16.17.30.05-NO 16.17.30.05-NC	435 to 1,450 PSI
16.17.00.05-NC 16.17.00.05-NO	1,450 to 4,350 PSI
16.17.20.05-NC 16.17.20.05-NO	4,350 to 14,500 PSI
16.17.60-NO** 16.17.70-NC**	1,500-4,500 PSI 150-450 PSI

* Catalog number suffix NO for normally open and NC for normally closed.

**These stainless steel switches are for Oxygen Service and have BSPP connections.

- Can be used to shut off MAXPRO pumps, air amplifiers and gas boosters, with pilot ports, by controlling the pneumatic signal to the air pilot line. Allows the pump, amplifier or booster to operate at maximum air drive pressure, achieving the desired outlet pressure as rapidly as possible with little overshoot.
- Ideal for use as an on/off control device for air operated actuators and pilot operated valves in process control applications.
- Replaces electrical switches in hazardous liquid or gas services.
- Precise and repeatable control of outlet pressure.
- Senses gas or liquid pressures.
- Externally adjustable under pressure.
- Reliable and easy to install.

TECHNICAL INFORMATION

Materials

- Body.....Anodized Aluminum Alloy
- Piston.....440-B
- Seal.....PTFE with T46 Turcon
- Gland.....303 SS
- O-Ring.....Buna-N

Connections

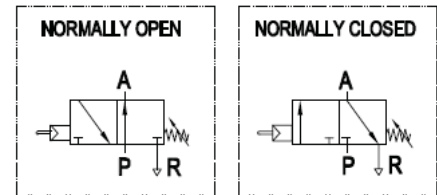
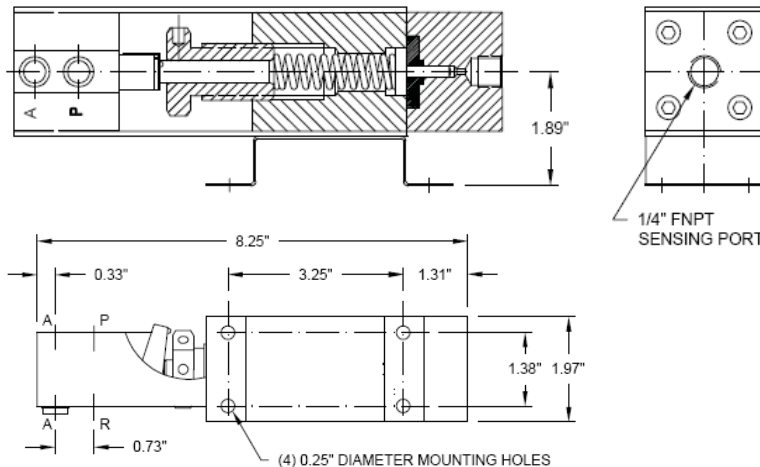
- Sensing Port.....1/4" FNPT
- Air Ports.....1/8" BSPP

NOTE: Maximum inlet air pressure is 145 PSI
Weight is 3 lbs.

Adjustment

Turn adjusting gland (32 mm hex) clockwise to increase, or counter clockwise to decrease the pressure setting. The gland hex also has holes for using a rod or Allen wrench. The dead-band is about 10% of the final set pressure.

DIMENSIONS (inches)



"A" = AIR OUTLET TO PILOT CONNECTION "X" OF PUMP OR BOOSTER (145 PSI MAXIMUM), 1/8" BSPP

"P" = AIR INLET FOR PILOT, 145 PSI MAXIMUM, 1/8" BSPP

"R" = RELEASE VENT OUTLET, 1/8" BSPP

SENSING PORT = 1/4" FNPT

HIGH PRESSURE RELIEF VALVE

PRESSURES FROM 1,000 TO 10,000 PSI

MT10RV SERIES

- Gas or liquid
- Externally adjustable
- Stainless Steel
- Can be mounted in line

TECHNICAL INFORMATION

Materials

- Body.....Stainless Steel
- Seat.....Nylon
- Seals.....PTFE/EPDM

Sizing Data

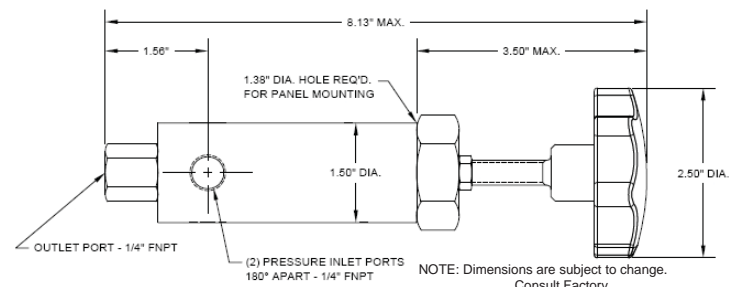
- Orifice.....0.07" DIA.
- Cv.....0.12

Connections

- Inlet or Thru Ports....1/4" FNPT
- Outlet/Vent.....1/4" FNPT



DIMENSIONS (inches)



AIR RECEIVER TANKS

Carbon Steel, ASME Certified

- **T1-400**.....1 Gallon - 400 psi, no mounting, 6" OD x 16" L, 10 lbs., connections: (2) 3/4" FNPT (1) 1/4" FNPT
- **T4-600**.....4 Gallon - 600 psi, with mounting base, 10.75" Dia. x 13.75" H x 15" L, 46 lbs., connections: (2) 3/4" FNPT (3) 3/8" FNPT (2) 1/4" FNPT
- **T-302461**...10 Gallon - 200 psi, with mounting legs, 10" OD x 30" L x 11.5" H, 43 lbs., connections: (2) 3/4"
- **T-302464**...15 Gallon - 200 psi, with mounting legs, 12" OD x 33" L, 14.5" H, 51 lbs., connections: (2) 3/4" FNPT (3) 1/2" FNPT (1) 1/4" FNPT
- **T-302470**...30 Gallon - 200 psi, with mounting legs, 16" OD x 38" L, 20.6" H, 111 lbs., connections: (2) 1 1/2" FNPT (3) 3/4" FNPT (1) 1/2" FNPT



RESERVOIRS*

Stainless Steel

- **MTR1G-H-MP**..1.4 Gallon - With handle and pump mounting plate, 4" x 10" x 8.5", connections: (1) 1/2" FNPT (3) 1/4" FNPT
- **MTR2G-MP**...2 Gallon - Bench mount with pump mounting plate, 4" x 10" x 14", connections: (1) 1/2" FNPT (3) 1/4" FNPT
- **MTR2G-WM**...2 Gallon - Wall mount with four mounting tabs 3" x 12" x 14", connections: (1) 1/2" FNPT (2) 1/4" FNPT
- **MTR8G-SG**...8 Gallon - Bench/floor mount with sight glass, 16.5" x 9.5" x 12", connections: (3) 1/2" FNPT

Carbon Steel

- **MTR1.5G**...1.5 Gallon - Bench mount with removable lid, 9" x 10" x 5" HG, connections: (2) 1/2" FNPT (2) 1/4" FNPT

*All reservoirs include fill breather cap



AIR CONTROL PACKAGES

Consisting of a filter, regulator with gauge, shut-off valve and required fittings

- **ACM**....For all LC, PPO, PP & PPSF pumps, and MPLV air amplifiers
- **AC**.....For all S Pumps
- **ACP**....For all L, LO & LSF pumps, DLA & GPLV air amplifiers and DLE gas boosters
- **ACG**....For all GX pumps



PUMP CYCLE COUNTERS

To order: add suffix to pump P/N, eg. PPO12-CCW

- **CCP**....Panel mount, 0 - 999,999 max. cycles, 1/03" hg x 2" wd hole
- **CCW**...Wall mount, 0 - 999,999 max cycles, 4.00" hg x 2" wd hole



GAS RECEIVERS

Alloy Steel with nickel plating

1/4" high pressure inlet/outlet connections on each end.

- **REC-36S**....36 Cu. In. - 10,000 psi, 2.38" Dia. x 20.63" L overall
- **REC-66S**....66 Cu. In. - 10,000 psi, 2.38" Dia. x 33" L overall



DRY AIR SPOOLS

For severe duty service

- The Dry Air Spool (DAS) option should be considered for extreme operating conditions involving air or gas drive mediums below 0°F dewpoint, or very cold climate applications (-40°C.).



TIMER DEVICE

To order, use part number MT-C-TMR

This timer provides a method to alternate demands on dual pump, booster or air amplifier applications when the equipment is in continuous duty. The timer allows the two units to alternate by cycling on/off every 20-30 minutes. This will extend the life of the equipment by letting the units cool between service cycles. The timer device includes:



- NEMA 12 enclosure (4 x 6 x 4) with timer, on/off switch, 8' power cord (120 VAC), two 8' solenoid cables
- Two 1/4" normally closed solenoids, 120 VAC
- Necessary fittings to install the solenoids into the pilot lines of the pumps, boosters or amplifiers.

MAXPRO
TECHNOLOGIES

7728 Klier Drive South ■ Fairview, PA 16415
Phone: 814-474-9191 ■ Fax: 814-474-9391
Web Site: www.maxprotech.com
E-mail: sales@maxprotech.com