

# Accessories

for Liquid Pumps,  
Gas Boosters & Air Amplifiers

## AIR PILOT SWITCHES

PRESSURES FROM 145 TO 14,500 PSI



- Air pilot pressure switches are pressure sensing devices with an air valve, used to turn air driven gas boosters, liquid pumps and air amplifiers on/off at a desired set pressure by controlling a pneumatic signal to the unit's air pilot control feature.
- Units can operate at their maximum drive air pressure, achieving desired outlet set pressure as rapidly as possible.
- Switch resets in approximately 10% drop in set pressure, for the controlled unit restart.
- Externally adjustable under pressure
- Normally Open switches close upon reaching set pressure (typically used to stop on pressure increase when the desired high pressure is achieved).
- Normally Closed switches open upon reaching set pressure (typically used to stop unit on pressure decrease, such as low bottle supply pressure).

### Air Pilot model generator

APS-.....

#### Switch Position

- NO - Normally Open
- NC - Normally Closed

#### Special versions

- O2 - Cleaned for oxygen service, 316 stainless steel body
- SS - 316 stainless steel body

#### Connections (Air ports are 1/8" BSPP)

- 4B - 1/4" BSPP with outer seal
- 4P - 1/4" FNPT
- 4M - 1/4" Medium pressure coned and threaded

#### Pressure Ranges

- 10-30 - between 10 and 30 bar (145-435 psi)
- 30-100 - between 30 and 100 bar (435 - 1450 psi)
- 100-300 - between 100 and 300 bar (1450 - 4350 psi)
- 150-400 - between 150 and 400 bar (2175-5800 psi)
- 300-1000 - between 300 and 1000 bar (4350-14,500 psi)

### Typically stocked switches

- APS-10-30-4P-NO
- APS-10-30-4P-NC
- APS-30-100-4P-NO
- APS-30-100-4P-NC
- APS-100-300-4P-NO
- APS-100-300-4P-NC
- APS-300-1000-4P-NO
- APS-300-1000-4P-NC
- APS-10-30-4B-O2-NO
- APS-100-300-4B-O2-NC

### TECHNICAL INFORMATION

#### Materials

- Body (Standard).....Aluminum Alloy
- Body (Optional).....316 Stainless Steel
- Piston.....440-B
- Seal.....PTFE with T46 Turcon
- Gland.....303 SS
- O-Ring.....Buna-N

#### Connections

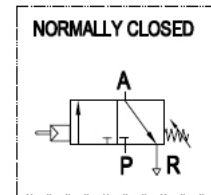
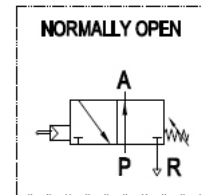
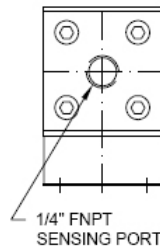
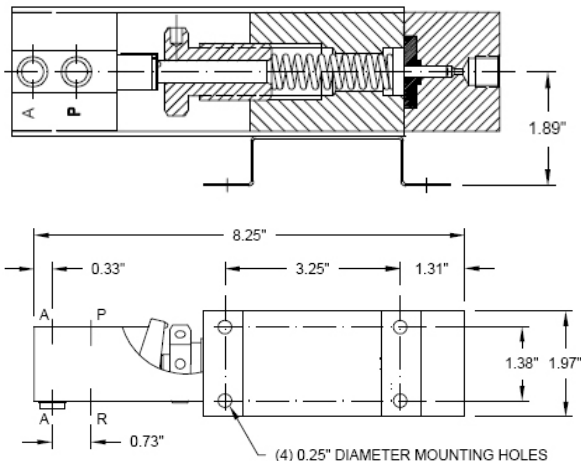
- Sensing Port.....1/4" FNPT
- Air Ports.....1/8" BSPP

### Adjustment

Turn adjusting gland (32 mm hex) clockwise to increase, or counter clockwise to decrease the pressure setting. The gland hex also has holes for using a rod or Allen wrench. The dead-band is about 10% of the final set pressure.

### DIMENSIONS (inches)

NOTE: Maximum inlet air pressure is 145 PSI  
Weight is 3 lbs.



"A" = AIR OUTLET TO PILOT CONNECTION "X" OF PUMP OR BOOSTER (145 PSI MAXIMUM), 1/8" BSPP

"P" = AIR INLET FOR PILOT, 145 PSI MAXIMUM, 1/8" BSPP

"R" = RELEASE VENT OUTLET, 1/8" BSPP

SENSING PORT = 1/4" FNPT

NOTE: Dimensions are subject to change.  
Consult Factory.

## HIGH PRESSURE RELIEF VALVE

PRESSURES FROM 1,000 TO 10,000 PSI

### MT10RV SERIES

- Gas or liquid
- Externally adjustable
- Stainless Steel
- Can be mounted in line

#### TECHNICAL INFORMATION

##### Materials

- Body..... Stainless Steel
- Seat..... Nylon
- Seals..... PTFE/EPDM

##### Sizing Data

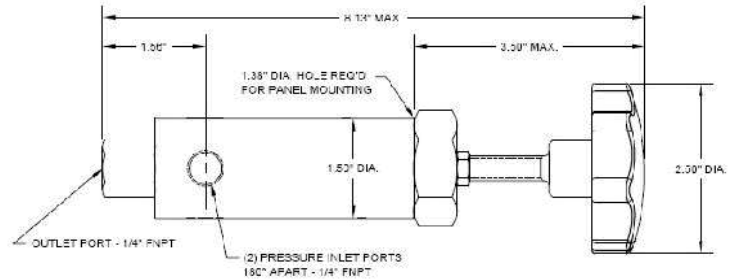
- Orifice..... 0.07" DIA.
- Cv..... 0.12

##### Connections

- Inlet or Thru Ports.... 1/4" FNPT
- Outlet/Vent..... 1/4" FNPT



DIMENSIONS (inches)



## GAS RECEIVERS

Alloy Steel with nickel plating

1/4" high pressure inlet/outlet connections on each end.

- REC-36S....36 Cu. In. - 10,000 psi, 2.5" Dia. x 20.63" L overall
- REC-66S....66 Cu. In. - 10,000 psi, 2.5" Dia. x 33" L overall



## DRY AIR SPOOLS

For severe duty service

- The Dry Air Spool (DAS) option should be considered for extreme operating conditions involving air or gas drive mediums below 0°F dewpoint, or very cold climate applications (-40°C.).



## AIR RECEIVER TANKS

Carbon Steel, ASME Certified

- T1-400.....1 Gallon - 400 psi, no mounting, 6" OD x 16" L, 10 lbs., connections: (2) 3/4" FNPT (1) 1/4" FNPT
- T4-600.....4 Gallon - 600 psi, with mounting base, 10.75" Dia. x 13.75" H x 15" L, 46 lbs., connections: (2) 3/4" FNPT (3) 3/8" FNPT (2) 1/4" FNPT
- T-302461...10 Gallon - 200 psi, with mounting legs, 10" OD x 30" L. x 11.5" H, 43 lbs., connections: (2) 3/4"
- T-302464...15 Gallon - 200 psi, with mounting legs, 12" OD x 33" L, 14.5" H, 51 lbs., connections: (2) 3/4" FNPT (3) 1/2" FNPT (1) 1/4" FNPT
- T-302470...30 Gallon - 200 psi, with mounting legs, 16" OD x 38" L, 20.6" H, 111 lbs., connections: (2) 1 1/2" FNPT (3) 3/4" FNPT (1) 1/2" FNPT



## AIR CONTROL PACKAGES

Consisting of a filter, regulator with gauge, shut-off valve and required fittings

- ACM....For all LC, PPO, PP & PPSF pumps, and MPLV air amplifiers
- AC.....For all S Pumps
- ACP.....For all L, LO & LSF pumps, DLA & GPLV air amplifiers and DLE gas boosters
- ACG....For all GX pumps



## PUMP CYCLE COUNTERS

To order: add suffix to pump P/N, eg. PPO12-CCW

- CCP....Panel mount, 0 - 999,999 max. cycles, 1/03" hg x 2" wd hole
- CCW....Wall mount, 0 - 999,999 max cycles, 4.00" hg x 2" wd hole

