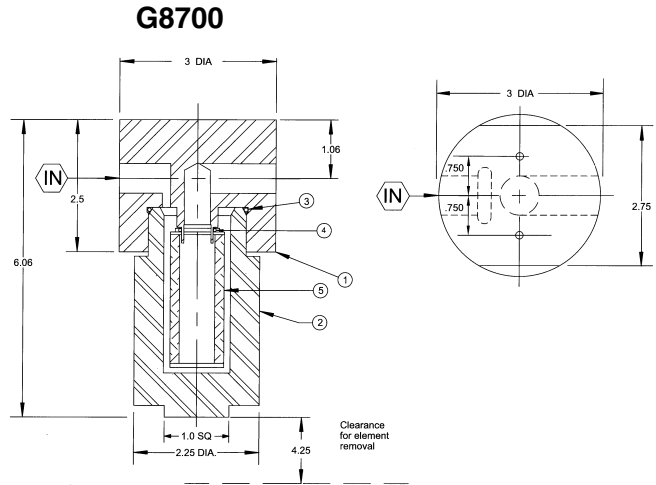
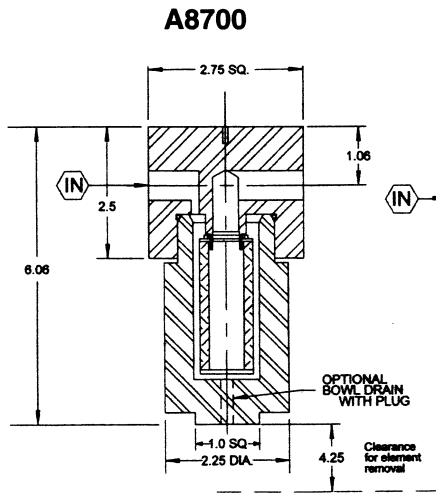


# 8700 SERIES

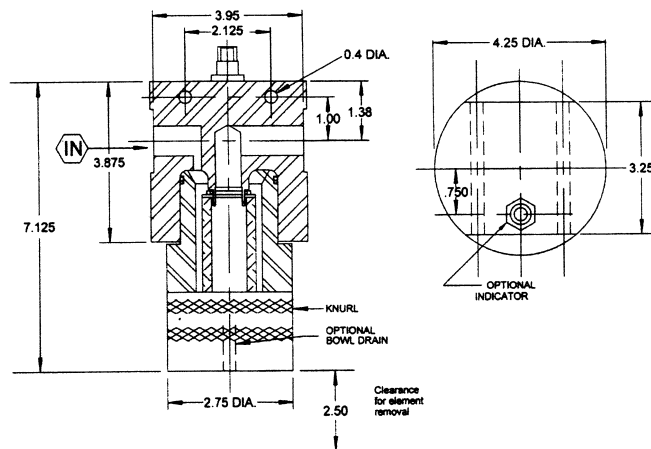
Up To 30,000 PSI Operating



*Also, ask for the HPT Interchange Guide  
with over 100,000 interchange elements available.*



**P 8700 Series**



**Specification**

<b>Housing</b>	<b>A</b>	<b>G</b>	<b>P</b>
<b>Material</b>	Aluminum	303/316 SS	17-4PH
<b>Operating (PSI)</b>	2,000	6,000	20,000*
<b>Proof (PSI)</b>	3,000	9,000	30,000
<b>Burst (PSI)</b>	8,000	24,000	100,000**
<b>Weight (LBS.)</b>	2	6	16

\* 10,000-PSI max with NPT ports  
30,000-PSI max with HP ports

\*\* Indicators and Bypass Have  
Been Tested to 60,000 PSI  
Without Leaking

# HOW TO ORDER

## EXAMPLE FILTER ASSEMBLY

<b>G</b>	<b>87</b>	<b>9</b>	<b>8F</b>	-	<b>3M</b>	<b>D</b>	<b>S</b>	-	<b>V</b>	<b>B</b>	<b>BMP</b>
<b>A</b>		<b>B</b>	<b>C</b>		<b>D</b>	<b>E</b>	<b>F</b>		<b>G</b>	<b>H</b>	<b>I</b>

## EXAMPLE ELEMENT ASSEMBLY

<b>232</b>	-	<b>1PM</b>	<b>F</b>	<b>S</b>
<b>B</b>		<b>D</b>	<b>E</b>	<b>F</b>

**A**

HOUSING MATERIAL	
A	Aluminum 2,000 PSI
G	316 SS 6,000-PSI
P	17-4 PH 20,000-PSI*

**B**

Element Size	
9	232

\* 10,000-PSI max with NPT ports  
30,000-PSI max with HP ports

**E**

COLLAPSE RATING	
CODE	DESCRIPTION
A	Cellulose 150-PSI
C	Microglass 300-PSI
D	Microglass 3,250-PSI
E	304 Wire Mesh 4,5000-PSI
F	316 Sintered 2,000-PSI

**F**

O-RING SPECIFICATIONS		
CODE	MATERIAL	TEMPERATURES
N**	Nitrile(Buna)	-40° to 250°F
V**	Viton®	-20° to 400°F
E	Ethylene Propylene	-60° to 300°F
K	Kalrez®	-40° to 550°F
S	Teflon Encapsulated Viton Core	-4° to 400°F

\*\*for 90- durometer add 9 to code (example: V9)  
©DuPont

**Consult Factory  
for Availability on  
all Accessories  
and Bypasses**

**Consult Factory  
on use of Teflon  
Over 6,000 - PSI**

**G**

ACCESSORIES		
CODE	DESCRIPTION	AVAILABILITY
V	Visual Indicator	A,G, & P
E	Electrical Indicator	A,G, & P
D1	1/8-NPT Δ P Port	A,G
D2	1/4-NPT Δ P Port	A,G
D4	1/4-SAE Δ P Port	A,G
DMP	1/4-MP Δ P Port	P

**H**

BYPASS	
B*	Bypass
* Insert Pressure Setting Default is 50 PSID	

**I**

BOWL DRAIN		
CODE	DESCRIPTION	AVAILABILITY
B1	1/8-NPT	A & G
B2	1/4-NPT	A & G
B4	1/4-SAE	A & G
BMP	1/4-MP	P

**C**

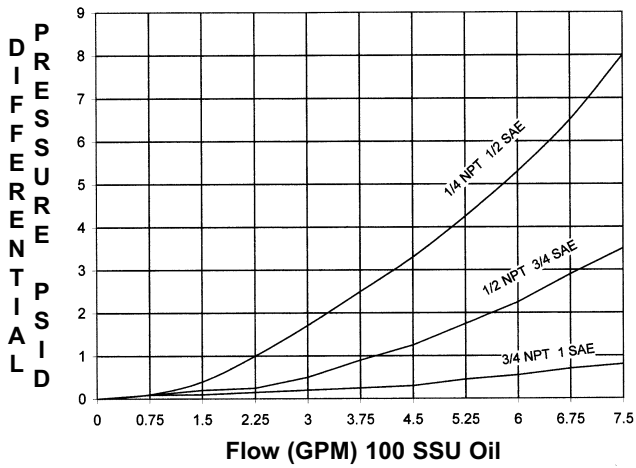
PORTING		
CODE	DESC.	AVAILABILITY
2F	1/8-NPT	A,G,G1 & P*
4F	1/4-NPT	A,G,G1 & P*
6F	3/8-NPT	A,G,G1 & P*
8F	1/2-NPT	A,G,G1 & P*
4S	1/4-SAE	A,G, &G1
8S	1/2-SAE	A,G,&G1
1	1/4-MP	G1 & P
2	3/8-MP	G1 & P
3	9/16-MP	G1 & P

**D**

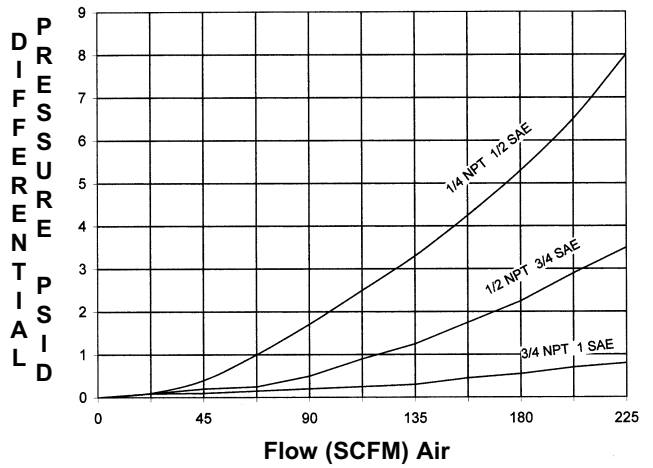
MICRON RATING						
CODE	NOM.	ABS	C	M	PM	W
1PM	0.2	0.5			x	
1M	N/A	1		x		
2PM	0.5	1			x	
3M	N/A	3		x		
3PM	1	3			x	
4PM	3	5			x	
6M	N/A	6		x		
10W	2	10				x
3C	3	10	x			
12M	N/A	12		x		
18W	5	18				x
10C	10	25	x			
25M	N/A	25		x		
25W	10	25				x
75W	40	75				x
100W	75	100				x
200W	100	200				x

C = Cellulose  
M = Microglass  
PM = 316 Sintered Metal  
W = 304 Woven Wire Mesh

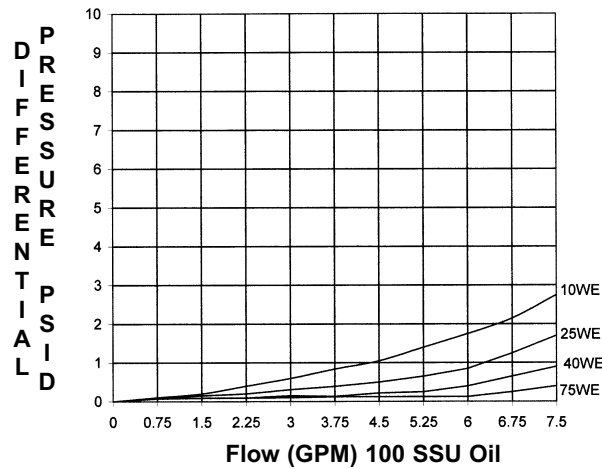
**8700 Filter Housing Less Element**



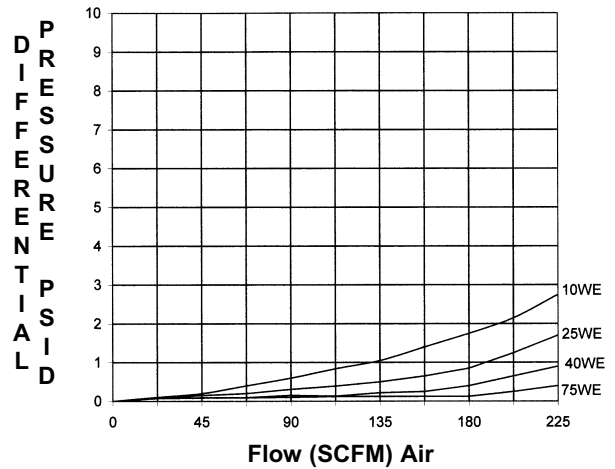
**8700 Filter Housing Less Element**



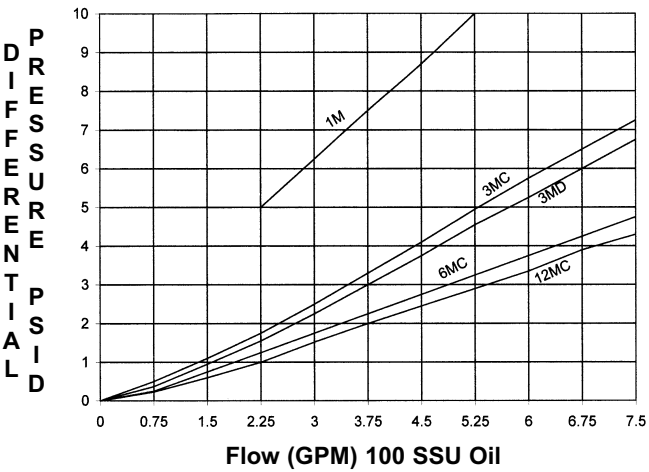
**232 Stainless Element**



**232 Stainless Element**



**232 Micro-Glass Element**



**232 Micro-Glass Element**

