



High Pressure Technologies, LLC.

HPT

26364 Ruether Ave
Santa Clarita, CA 91350 U.S.A.
Tel: (661)-251-5069
Fax: (661)-251-6745
<http://www.highpressuretech.com>

83 & 84 SERIES

In-Line Filters

Up To 30,000 PSI



Available in 1" HEX to 2 1/2" RND With
Recleanable 304-S.S. Elements From 10 to 200 Micron Absolute
or Beta 200 Microglass Elements, 1 to 25 Micron Absolute

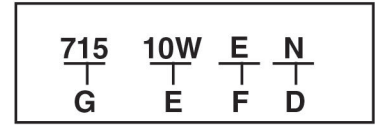
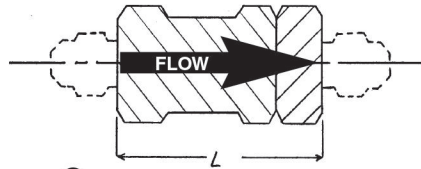
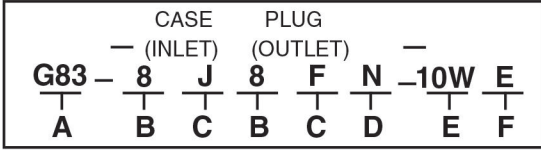
These straight in-line filters are available in 303, 316 and 17-4PH stainless steel that will accommodate the pressures and the gases or liquids required for your application. With precision pleated micron glass and sintered 0.2 to 150 micron abs stainless steel wire elements they will provide the filtration required by any system.

Our 304 stainless steel elements of pleated, recleanable, woven wire have a temperature range of -320°F to $+550^{\circ}\text{F}$ and with a choice of filtration ratings ranging from 10 to 200 micron absolute, they should satisfy the most sophisticated installation.

SAMPLE ASSEMBLY

HOW TO ORDER

SAMPLE ELEMENT



A

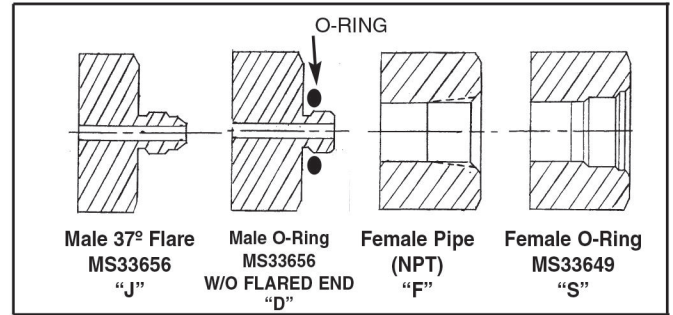
HOUSING MATERIAL		
#	DESCRIPTION	
G83	316 S.S.	3,000 PSI
S83	303 S.S.	3,000 PSI
P84	17-4 PH. S.S.	6,000 PSI
P84 10K	17-4 PH. SS	10,000 PSI
P84 30K	17-4PH.	30,000 PSI

B

PORT SIZE	
#	PORT
2	1/8
4	1/4
6	3/8
8	1/2
12	3/4
16	1

C

FITTING	
#	DESCRIPTION
D	Male O-Ring
F	Female Pipe
J	MS-33656
S	MS-33649



D

O-RINGS		
#	MATERIAL	TEMPERATURES
N	Nitrile (Buna "N")	- 40°F TO 250°F
V	Viton®	- 20°F TO 400°F
S	TEV	- 4°F TO 400°F
E	Ethyl Prop	- 60°F TO 300°F
K	Kalrez®	- 40°F TO 550°F

E

MICRON RATING					
#	DESCRIPTION	ABS	#	DESCRIPTION	ABS
10W	S.S Wire Mesh	10	3M	Microglass	3
18W	S.S Wire Mesh	18	6M	Microglass	6
25W	S.S Wire Mesh	25	12M	Microglass	12
40W	S.S Wire Mesh	40			
75W	S.S Wire Mesh	75			
150W	S.S Wire Mesh	150			

F

COLLAPSE RATING	
#	PRESSURE
D	3250 PSID
E	4500 PSID

G

REPLACEMENT ELEMENT
see specification chart

SPECIFICATIONS

Material Size 1" Hex			Material Size 1-1/2" Hex			Material Size 1-1/2" Hex or 1-3/4" Rnd			Material Size 2" Hex or 2-1/4" Rnd			Material Size 2-3/8" Hex or 2-1/2" Rnd		
THREADS	SIZE	O.A.L	THREADS	SIZE	O.A.L	THREADS	SIZE	O.A.L	THREADS	SIZE	O.A.L	THREADS	SIZE	O.A.L
NPT	1/8	4.81	NPT	1/8	4.75	NPT	1/4	6	NPT	1/2	7.75	NPT	3/4	8.75
Male O-Ring	1/4	4.12	Male O-Ring	3/8	4.25	Male O-Ring	1/2	5.5	Male O-Ring	3/4	7	Male O-Ring	1	8.25
MS33649	-4	4.81	MS33649	-6	4.75	MS33649	-8	6	MS33649	-12	7.75	MS33649	-16	8.75
MS33656	-4	4.12	MS33656	-6	4.25	MS33656	-8	5.5	MS33656	-12	7	MS33656	-16	8.25
Rated Flow*			Rated Flow*			Rated Flow*			Rated Flow*			Rated Flow*		
Oil at 150ssu	-	2.5GPM	Oil at 150ssu	-	6GPM	Oil at 150ssu	-	10GPM	Oil at 150ssu	-	16GPM	Oil at 150ssu	-	40GPM
Air at 100PSIG	-	15SCFM	Air at 100PSIG	-	40SCFM	Air at 100PSIG	-	75SCFM	Air at 100PSIG	-	195SCFM	Air at 100PSIG	-	340SCFM
Air at 3000PSIG	-	155SCFM	Air at 3000PSIG	-	295SCFM	Air at 3000PSIG	-	550SCFM	Air at 3000PSIG	-	1150SCFM	Air at 3000PSIG	-	1625SCFM
Element Area	-	8.5in ²	Element Area	-	15in ²	Element Area	-	25in ²	Element Area	-	60in ²	Element Area	-	101in ²
Replacement Element	-	711	Replacement Element	-	712	Replacement Element	-	713	Replacement Element	-	715	Replacement Element	-	716

