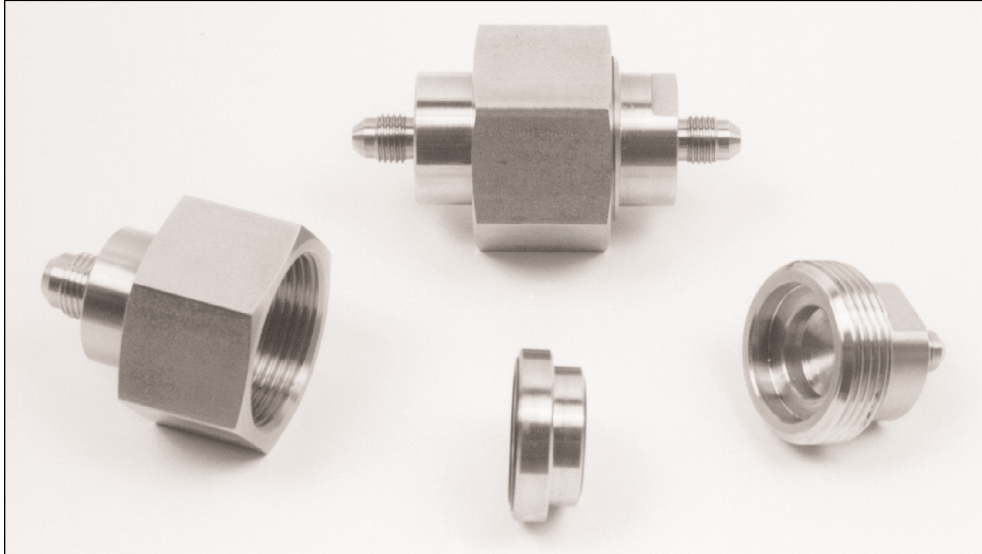




High Pressure Technologies, LLC.

HPT

26364 Ruether Ave
Santa Clarita, CA 91350 U.S.A.
Tel: (661)-251-5069
Fax: (661)-251-6745
<http://www.highpressuretech.com>



88 SERIES FILTERS 6000 PSI

Multi-Use Compact In-Line Filters

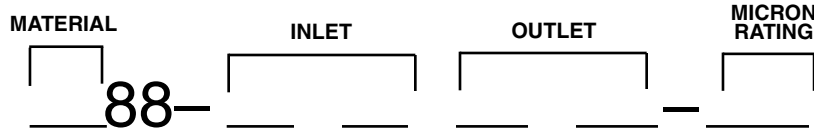
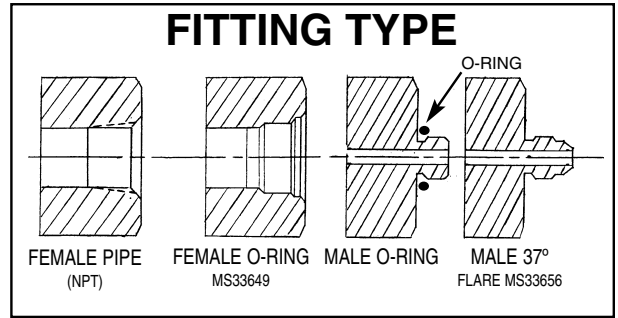
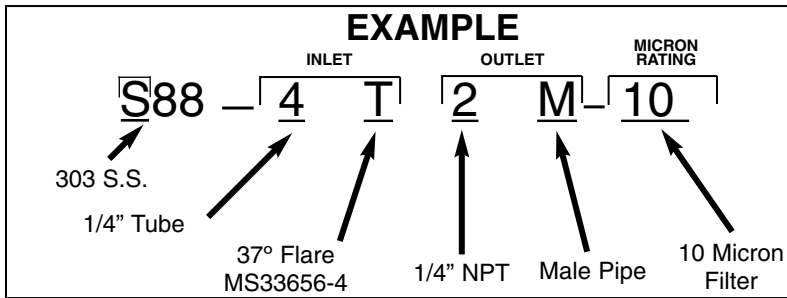
PROOF: 9000 PSI

BURST: 24000 PSI

The 88 Series compact, low cost filter will satisfy a variety of uses in close quarters, giving super precision protection for your most critical filtration applications.

- ★ Easy element change out
- ★ Ideal for test stands when a variety of micron rating elements are required
- ★ Reduce cost of inventory
- ★ S88 compact in-line filters are made of 303 S.S., or 316 stainless steel with precision pleated 304 stainless steel wire mesh or 316 sintered metal discs. Can be utilized at temperatures of -320°F to +550°F
- ★ Quick delivery for all sizes
- ★ The 304 wire mesh elements are precision pleated for strength and increased effective area
- ★ Ideal where space is limited
- ★ A wide selection of micron ratings ranging from .2 to 150 absolute
- ★ Choose your own inlet-outlet porting for your particular application
- ★ Can be cleaned by removing element assembly, and backflushing with solvent or other cleaning solutions
- ★ Special inlet and outlet porting available upon request
- ★ Special materials upon request
- ★ All units stamped with arrow for flow direction
- ★ Inexpensive filter for: laboratories - test stands - meters - pneumatic systems - gauges - hydraulic system - and much more

HOW TO ORDER



HOUSING MATERIAL #	DESCRIPTION
G	316 S.S.
S	303 S.S.

FITTING SIZE #	FITTING SIZE	
	Pipe	Tube
1	1/8	-
2	1/4	1/8
3	3/8	3/16
4	1/2	1/4
6	-	3/8
8	-	1/2

FITTING TYPE

B = Female O-Ring C = Compression
MS33649

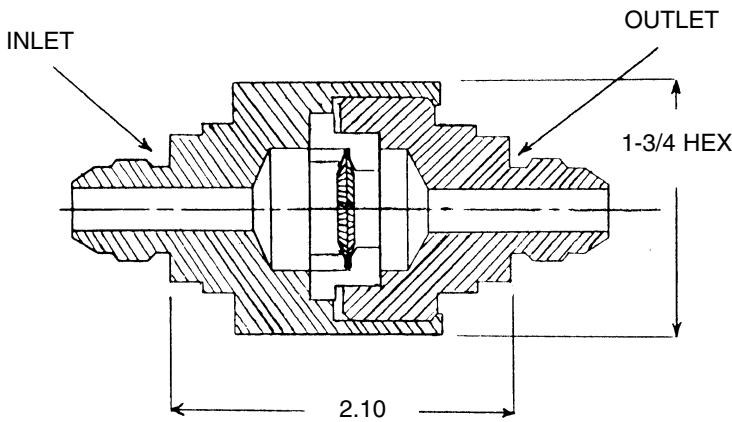
D = Male O-Ring P = Female Pipe
NPT

M = Male Pipe T = 37° Flare
NPT MS33656

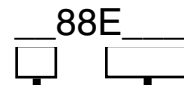
MICRON RATING #	MICRON RATING	
	NOM.	ABS.
10	2	10
15	2	15
18	5	20
25	10	25
40	20	40
75	40	75
100	75	100
150	100	150
300	200	300

SINTERED METAL

1 PM	.05	.20
2 PM	.20	.70
3 PM	.3	2
4 PM	.8	5



REPLACEMENT ELEMENT



High Pressure Technologies, LLC.

HPT

26364 Ruether Ave
Santa Clarita, CA 91350 U.S.A.
Tel: (661)-251-5069
Fax: (661)-251-6745
<http://www.highpressuretech.com>